

Construction #1

individual piece purchased from construction #1: "untitled" (I think 10,000 things) #___ /100

purchaser/participant agreement - please provide artist with:

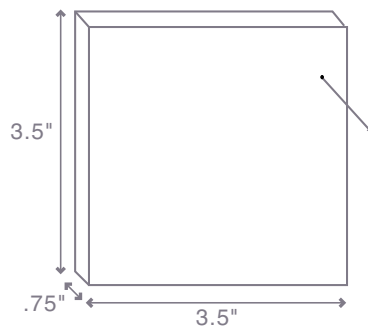
purchasers name _____

participant name _____

address / location _____

signature* date _____

*purchaser/participant agrees to allow the artist the use of the name, city and country where the individual piece from construction #1 will be displayed.
participant/purchaser further agrees to inform the artist of any change in ownership and or location of the individual piece from construction #1.



Finishing nail required for hanging

3d 1 1/4"

approximately 45 degree angle

DISPLAY NOTE: Requires at least 24" x 24" display area.